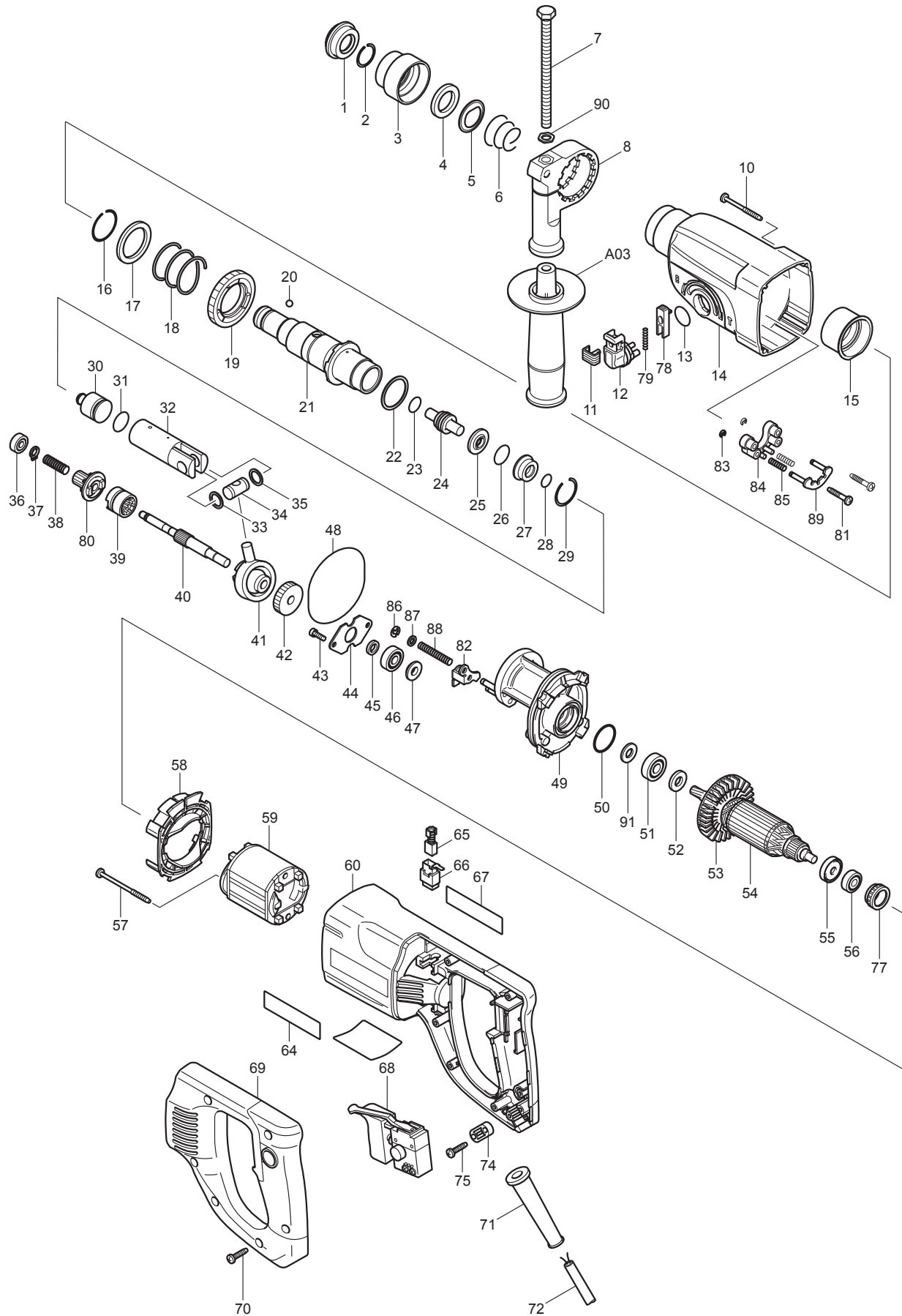




03 - 2010

HR2455

# 1" ROTARY HAMMER V.S. SDS-PLUS



Item No.	Type	Sub	Part No.	Description (* see Service changes on the bottom)	Qty	Unit
1			286263-4	CAP 35	1	PC.
2			233940-9	* RING SPRING 19 (OLD# 233915-8 - N/L/A)	1	PC.
3			417629-9	CHUCK COVER	1	PC.
4			257241-1	RING 21	1	PC.
5			345187-4	GUIDE WASHER	1	PC.
6			233916-6	CONICAL COMP. SPRING 21-29	1	PC.
7			921923-8	HEX. BOLT M8X120	1	PC.
8			417630-4	GRIP BASE	1	PC.
10			266069-6	TAPPING SCREW 4X45	4	PC.
11			417794-4	CAP	1	PC.
12			162229-7	CHANGE LEVER COMPLETE	1	PC.
13			213278-8	O RING 17	1	PC.
14			183441-6	GEAR HOUSING SET	1	PC.
		INC.		Item No. 15		
15			153290-5	NEEDLE BEARING COMPLETE	1	PC.
16			233918-2	RING SPRING 28	1	PC.
17			267228-5	WASHER 30	1	PC.
18			233328-3	COMPRESSION SPRING 31	1	PC.
19			227028-5	SPUR GEAR 51	1	PC.
20			216022-2	STEEL BALL 7.0	1	PC.
21			153365-0	TOOL HOLDER COMPLETE	1	PC.
22			267229-3	FLAT WASHER 28	1	PC.
23			213128-7	O RING 12	1	PC.
24			324396-8	IMPACT BOLT (OLD# 324278-4 - N/L/A)	1	PC.
25			324218-2	RING 9	1	PC.
26			213232-2	O RING 15	1	PC.
27			324216-6	O RING CASE	1	PC.
28			213073-6	O RING 9	1	PC.
29			233917-4	RING SPRING 28	1	PC.
30			324214-0	STRIKER	1	PC.
31			213227-5	O RING 16	1	PC.
32			331632-5	PISTON CYLINDER	1	PC.
33			267104-3	FLAT WASHER 12	1	PC.
34			324215-8	PISTON JOINT	1	PC.
35			267104-3	FLAT WASHER 12	1	PC.
36			211012-0	BALL BEARING 606ZZ	1	PC.
37			961003-8	RETAINING RING S-7	1	PC.
38			233343-7	COMPRESSION SPRING 7	1	PC.
39			331634-1	CLUTCH CAM	1	PC.
40			324248-3	CAM SHAFT	1	PC.
41			219014-0	SWASH BEARING 10	1	PC.
42			226550-9	HELICAL GEAR 26	1	PC.
43			266273-7	HEX. SOCKET HEAD BOLT M4X12	2	PC.
44			345179-3	BEARING RETAINER	1	PC.
45			267234-0	FLAT WASHER 8	1	PC.
46			211032-4	BALL BEARING 608ZZ	1	PC.
47			324212-4	RING 8	1	PC.
48			213725-9	O RING 68	1	PC.
49			153687-8	* INNER HOUSING COM. (OLD# 153687-8 - N/L/A)	1	PC.
50			213380-7	O RING 24	1	PC.
51			210060-6	BALL BEARING 609LLU	1	PC.
52			267231-6	FLAT WASHER 9	1	PC.
53			240084-8	* FAN 60 (OLD# 240047-4 - N/L/A)	1	PC.
54			515666-8	* ARMATURE ASS'Y 115V (OLD# 517376-3 - N/L/A)	1	PC.
		INC.		Item No. 51-53,55,56		
55			681636-0	INSULATION WASHER	1	PC.

Item No.	Type	Sub	Part No.	Description (* see Service changes on the bottom)	Qty	Unit
56			211021-9	BALL BEARING 607LLB	1	PC.
57			266052-3	TAPPING SCREW 4X60	2	PC.
58			418085-6	BAFFLE PLATE	1	PC.
59			633556-4	FIELD 115V	1	PC.
60			183580-2	MOTER HOUSING	1	PC.
		INC.		Item No. 64,67		
64			819064-1	MAKITA MARK	1	PC.
65	1		191927-6	CARBON BRUSH CB-407 2PC/SET (W/O ORIGIN)	1	SET
	2		195007-0	CARBON BRUSH CB-407 2PC/SET (W/ ORIGIN)	1	SET
66			643936-6	BRUSH HOLDER	2	PC.
67			819064-1	MAKITA MARK	1	PC.
68			650508-0	SWITCH TG813TLB-1	1	PC.
69			418086-4	HANDLE COVER	1	PC.
70			265995-6	TAPPING SCREW 4X18	6	PC.
71			682559-5	CORD GUARD 8	1	PC.
72			664895-1	POWER SUPPLY CORD #18-2-4.0	1	PC.
74			687063-9	CORD CLAMP	1	PC.
75			265995-6	TAPPING SCREW 4X18	2	PC.
77			421494-0	RUBBER RING 19	1	PC.
78			417795-2	LOCK BUTTON	1	PC.
79			233341-1	COMPRESSION SPRING 3	1	PC.
80			226399-7	SPUR GEAR 10	1	PC.
81			265999-8	TAPPING SCREW 4X25	2	PC.
82	1		345220-2	* CHANGE PLATE	1	PC.
	2		345363-0	* CHANGE PLATE	1	PC.
83			961017-7	STOP RING E-3	2	PC.
84			417796-0	GUIDE BASE	1	PC.
85			233344-5	COMPRESSION SPRING 4	2	PC.
86			961011-9	STOP RING E-4	1	PC.
87			941102-2	FLAT WASHER 5	1	PC.
88			233342-9	COMPRESSION SPRING 6	1	PC.
89			163430-7	LOCK PLATE COMPLETE	1	PC.
90			345280-4	HEX. WASHER	1	PC.
91			267271-4	* FLAT WASHER 9	1	PC.
100			251425-3	(-) FLAT HEAD SCREW M6X22	1	PC.
<b>ACCESSORIES</b>		<b>- See catalogue or visit <a href="http://www.makita.ca">www.makita.ca</a> for other optional accessories -</b>				
A01			324219-0	DEPTH GAUGE	1	PC.
A02			824695-3	PLASTIC CARRYING CASE	1	PC.
		INC.	417724-5	LATCH	2	PC.
A03	1		134943-5	GRIP 36 ASS'Y	1	PC.
		INC.	152521-9	GRIP 36 COMPLETE	1	PC.
		INC.		Item No. 78,90		
	2		135302-6	GRIP 36 ASS'Y	1	PC.
		INC.	153503-4	GRIP 36 COMPLETE	1	PC.
		INC.		Item No. 78,90		
A04			181573-3	BIT GREASE	1	PC.
			194683-7	GREASE VESSEL SET, 100CC	1	PC.
A05			765009-6	BLOW-OUT BULB	1	PC.
A06			421342-3	DUST CUP 5 (6-14.5MM BIT DIA.)	1	PC.
			421664-1	DUST CUP 9 (12-16MM BIT DIA.)	1	PC.
A07			763047-2	½" DRILL CHUCK	1	PC.
			192877-8	½" DRILL CHUCK	1	PC.
A08			122573-4	CHUCK ADAPTOR ASSY	1	PC.
			D-14093	CHUCK ADAPTOR		

Item No.	Type	Sub Part No.	Description (* see Service changes on the bottom)	Qty	Unit
A09		122574-2	DRILL CHUCK ASSY (INC.Item No. A07 & A08)	1	PC.
A10		763432-9	CHUCK KEY	1	PC.
A11		A-90582	HAMMER GREASE 30CC (OLD# 181490-7 - N/L/A)	1	PC.
A12		191687-A	MAKITA SAFETY GLASSES (OLD# 191687-A - N/L/A)	1	PC.
A13		256806-6	ROD (FOR 25-40MM)	1	PC.
		256815-5	ROD (FOR 45-118MM)	1	PC.
A14		A-86642	CORE BIT (SDS PLUS)	1	PC.
A15		752031-2	CENTER BIT	1	PC.

### SERVICE CHANGES

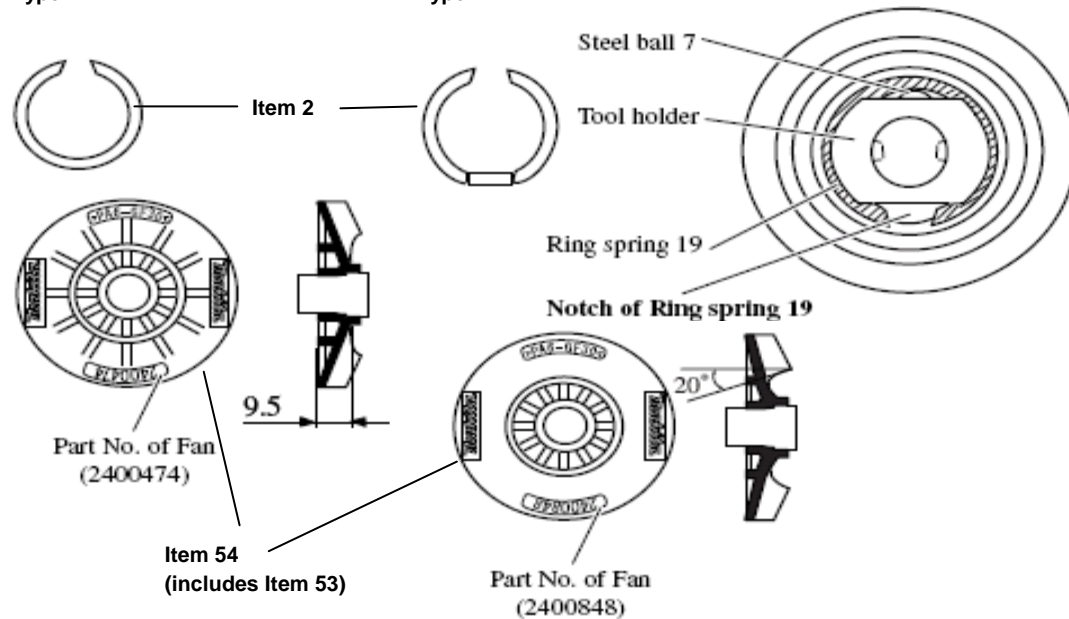
#### 1. Changes on Ring Spring 19 and Armature Assy

Item No.	Description	Type 1	Type 2
2	Ring Spring 19	233915-8	233940-9
54	Armature Assy	517376-3	515666-8
53	Fan	240047-7	240084-8

Above parts are completely interchangeable as a set.

Type 1

Type 2



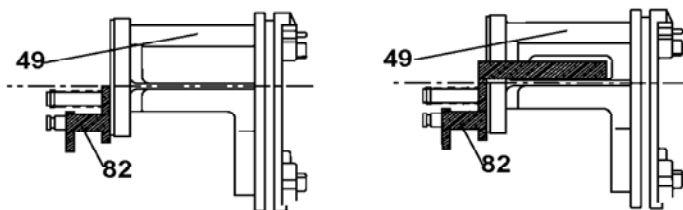
#### 2. Changes on Inner Housing Complete and Change Plate.

Item No.	Description	Type 1	Type 2	Type 3
49	Inner Housing Com	153367-6	153610-3	153687-8
82	Change Plate		345220-2	345363-0
91	Flat Washer 9	-----		267271-4

Above parts are completely interchangeable as a set.

Type 1

Type 2

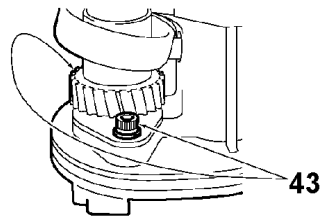


## SERVICE NOTE

### Follow these steps when replacing the Inner Housing Com and the Change Plate.

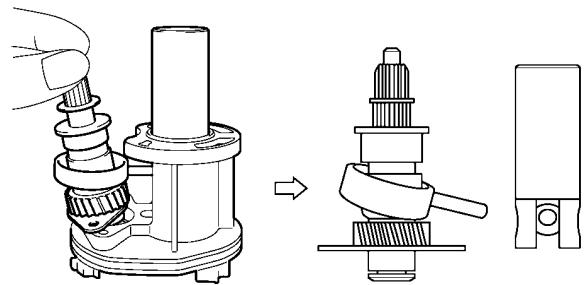
1. Remove Gear Housing Cover.
2. Remove Tool Holder section.
3. Remove two M4x12 Hex. Socket Head Bolts. (Fig. 1)

Fig. 1



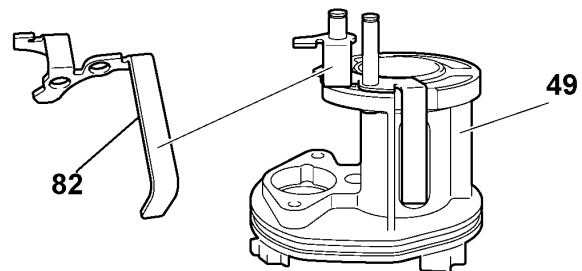
4. Remove Shaft portion and Piston Cylinder. (Fig. 2)

Fig. 2



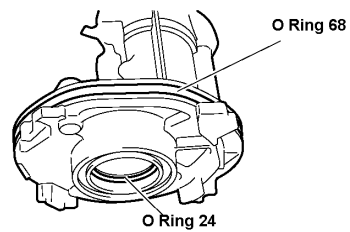
5. Remove Change Plate. (Fig. 3)

Fig. 3



6. Remove O-Ring 24 and O-Ring 68. (Fig. 4)

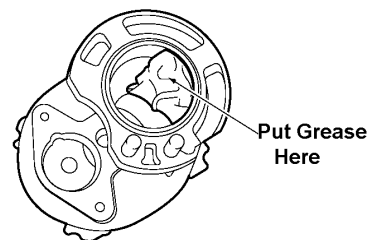
Fig. 4



All steps for removal of re-use parts have now been completed.

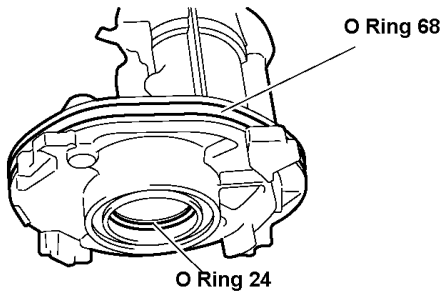
Fig. 6

7. Replace the current Inner Housing complete by the new one.
8. Apply 5g of Makita Grease RA No.1 as (Fig. 6)



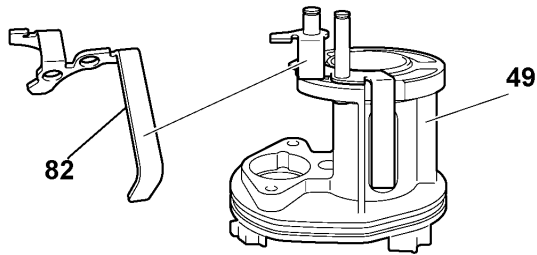
9. Install O-Ring 24 and O-Ring 68 as (Fig. 4)

Fig. 4



10. Set the new Change plate to the new Inner housing complete (Fig. 10).

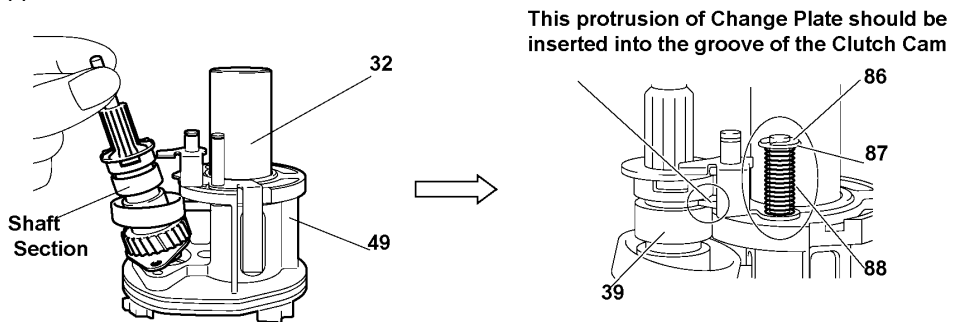
Fig. 10



11. Fix The Current Shaft Section And Pliston Cylinder with Inner Housing, and then secure them by screwing the new M4x12 Hex. Socket Head Bolts (2pcs). Next, Set the following parts on Pin 6 shown in Fig 11.

- Stop Ring E-4
- Compression Spring 6
- Flat Washer 5

Fig. 11



**Supplementary information:** Check whether Flat Washer 9 can be seen on the Armature Shaft as Fig. 12 by removing the Armature from the machine. If not, put Flat Washer 9 (Part No. 267271-4) as shown in (Fig 12)

